



TFT Raffaello

Raffaello 5" - Versione a montaggio frontale / Frontal mounted version

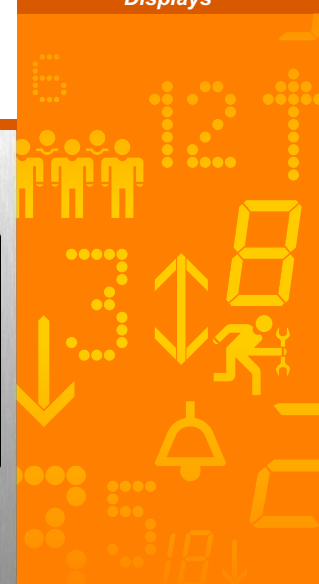


Cornice in acciaio inox e policarbonato
Polycarbonate and st. steel adaptng frame

Display
Position Indicators
Afficheurs
Standanzeigen
Displays

Display TFT grafico multicodifica ad alta risoluzione
High resolution TFT graphic position indicator with multicoding interfaces
Afficheur TFT graphique haute resolution avec interfaces multicode
TFT graphische Anzeige mit verschiedenen Ansteuer-codes und hohe Auflösung
Display TFT gráfico multicoding de alta resolución

2"	2,8"	4,3"	5"
240x320 pixel	480x272 pixel	480x272 pixel	
44 X 34 mm (schermo / screen)	46 X 61 mm (schermo / screen)	99 X 58 mm (schermo / screen)	111 X 63 mm (schermo / screen)
	anche also 81-71 class 2	anche also 81-71 class 2	Anche in versione a <u>montaggio frontale</u> con cornice Even in <u>frontal mounting</u> version with adapting frame



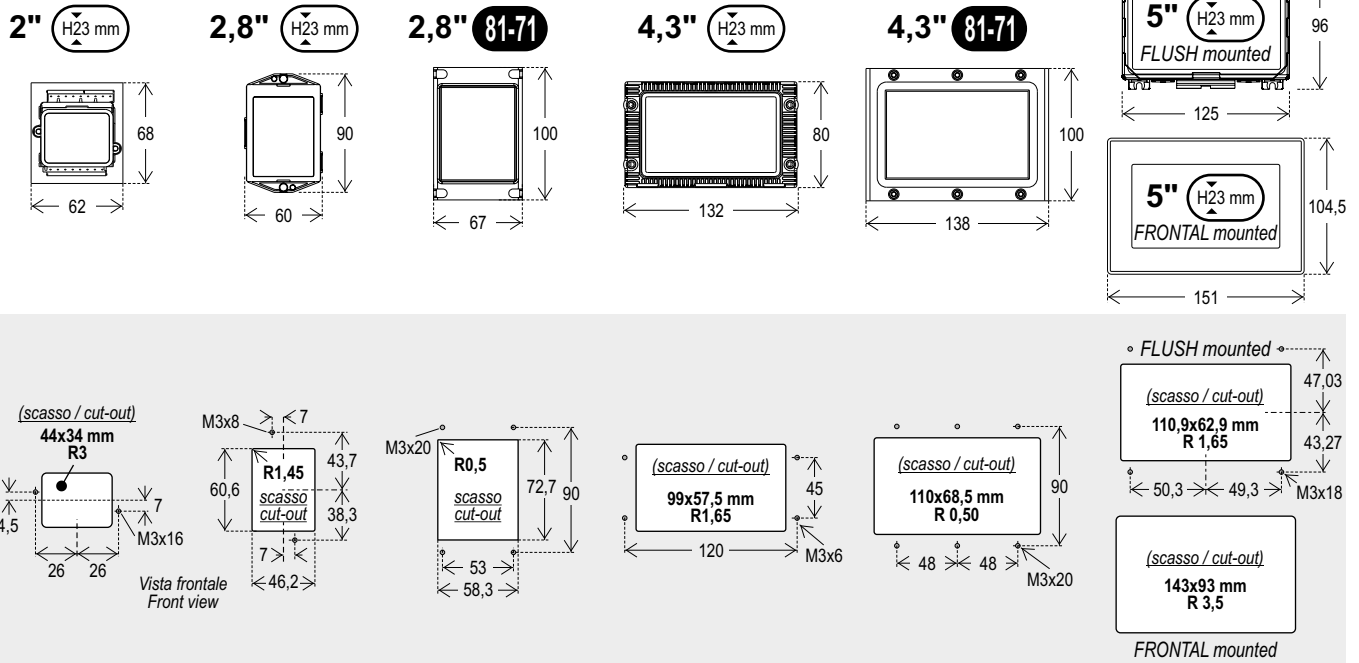
D_TFT-Raffaello_171103_eu

- ✓ **Pilotaggio multicolorato attraverso interfacce dedicate parallele, seriali, CAN BUS • Multicolor coding through 3 dedicated interfaces (Multiparallel, serial or CAN BUS) • Différents protocoles de communication envisageables : parallèle, série, CAN BUS • als Schnittstelle ist binär, gray, 1 aus n, serielle oder CAN BUS verfügbar • Pilotaje multicoding a través de interfaces dedicadas paralelo, serie, CAN BUS**
- ✓ **Nuove grafiche multicolorate a sfondi sfumati • New multicolor graphics with gradient backgrounds • De nouveaux fonds d'écrans nuances disponibles • neue Hintergründe und Grafiken verfügbar • Nuevas gráficas multicolor de fondos brumosos**
- ✓ **Disponibile anche in versione antivandalo EN 81-71 Classe 2 (2,8" e 4,3") • 2,8" and 4,3" versions also available in vandal resistant version (EN 81-71 Class 2) • Disponible aussi en version antivandale EN 81-71 Classe 2 (2,8" e 4,3") • 2,8" & 4,3" als zertifizierte vandalsichere Version (EN81-71 Klasse 2) verfügbar • También disponible en versión antivandálico EN 81-71 Classe 2 (2,8" y 4,3")**

DMG SpA
 Via delle Monachelle 84/C
 00071 Pomezia
 Roma • Italia
 Tel. +39 06930251
 Fax +39 0693025240
 info@dmg.it
 www.dmg.it



DIMENSIONI E SCASSI • DIMENSIONS AND CUT-OUTS



CARATTERISTICHE • FEATURES

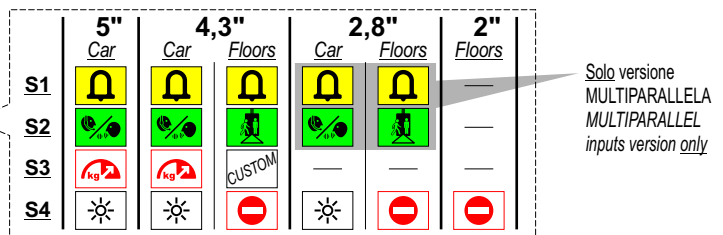
Alimentazione / Power supply
Alimentation / Speisung
Alimentación
 12÷24V DC ±10%

Temperatura di esercizio / Operating temperature
Température de fonctionnement / betriebswarm
Temperatura de funcionamiento
 -10°C + +50°C

Assorbimento / Absorption Stromaufnahme / Absorción	2"	2,8"	4,3"	5"
24V	36mA	46mA	71mA	72mA
Luce antipanico / Anti-panic light 12V	—	60mA	93mA	90mA

FUNZIONI • FUNCTIONS

- ✓ Risparmio energetico / Energy saving
- ✓ Ingressi segnali EN 81-70 / EN 81-70 signal inputs
- ✓ Gong (4,3"/5": all versions - 2,8": DMG Serial FULL version only)
- ✓ Frecce di prossima direzione / Next direction arrows



CODICI • PART NUMBERS

	PITAGORA SERIAL inputs		SERIAL inputs	PITAGORA MULTIPARALLEL inputs	CAN BUS inputs	Spessori piastra / Plate thickness / Epaisseur plastron / Frontplatten Stärke / Espesor placa					KIT di montaggio per componente sciolto / Mounting KIT for spare part only
	versione BASE BASIC version	versione FULL FULL version				(*) Con perni saldati / With studs / Par goujons Mit Gewindebolzen / Con pernos soldados					
	0,7 mm	1 mm				1,5 mm	2 mm	3 mm			
2"			DK2RFS00M	DK2RF100M			✓	✓*	✓*		
2,8"	DK3RFS00M.F0	DK3RFS00M.FG		DK3RF100M.F	DK3RFC00M.F		✓	✓*	✓*		
2,8" 81-71	DK3VFS00M.F0	DK3VFS00M.FG		DK3VF100M.F	DK3VFC00M.F				✓*	✓*	RDK3S0VP
4,3"			DK4RSS00M	DK4RS100M	DK4RSC00M	✓	✓	✓*	✓*	✓*	
4,3" 81-71			DK4VSS00M	DK4VS100M	DK4VSC00M				✓*	✓*	RDT4S0VP
5"	Montaggio a filo / Flush mounted		DK5RSS00M.F	DK5RS100M.F	DK5RSC00M.F		✓	✓	✓*	✓*	RDK5S0
	Montaggio frontale / Frontal mounted		DK5RSS00M.C	DK5RS100M.C	DK5RSC00M.C		✓	✓	✓	✓	

(**) CVDKPIT = Cavo precablaggio sistema Pitagora V3 / Pre-wired cable for V3 Pitagora system
 CVDKPIT.IT = Cavo precablaggio sistema Pitagora V4 / Pre-wired cable for V4 Pitagora system